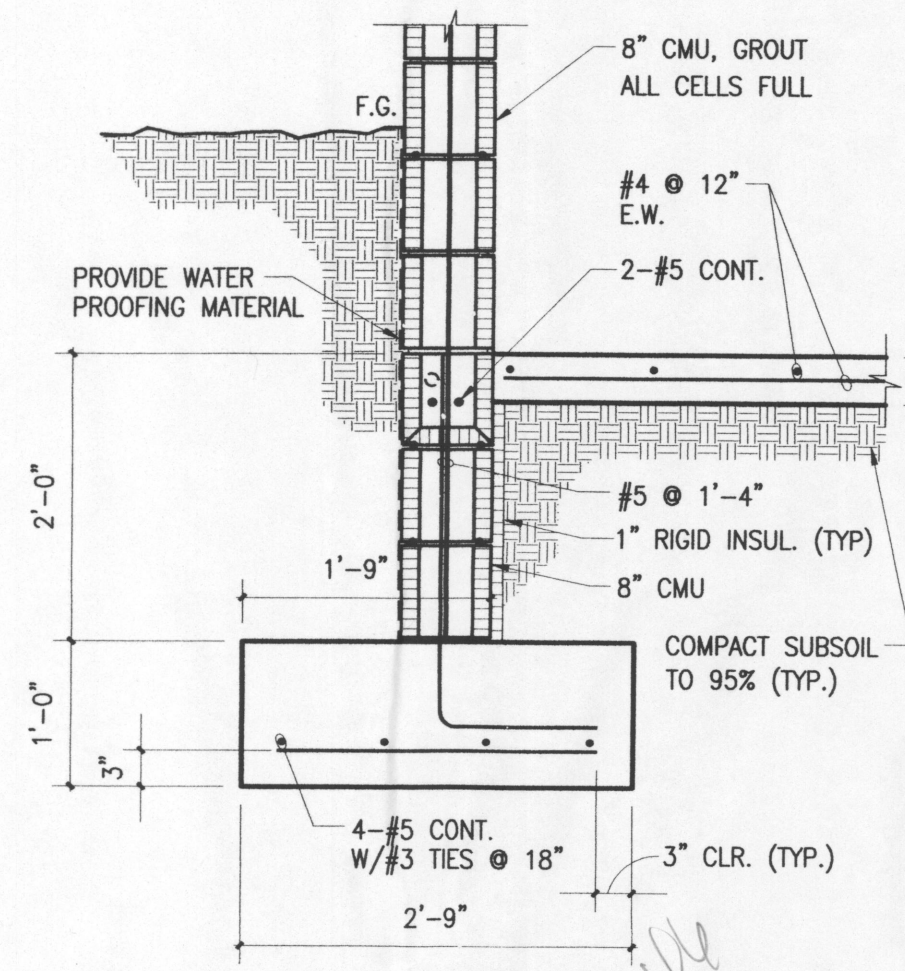
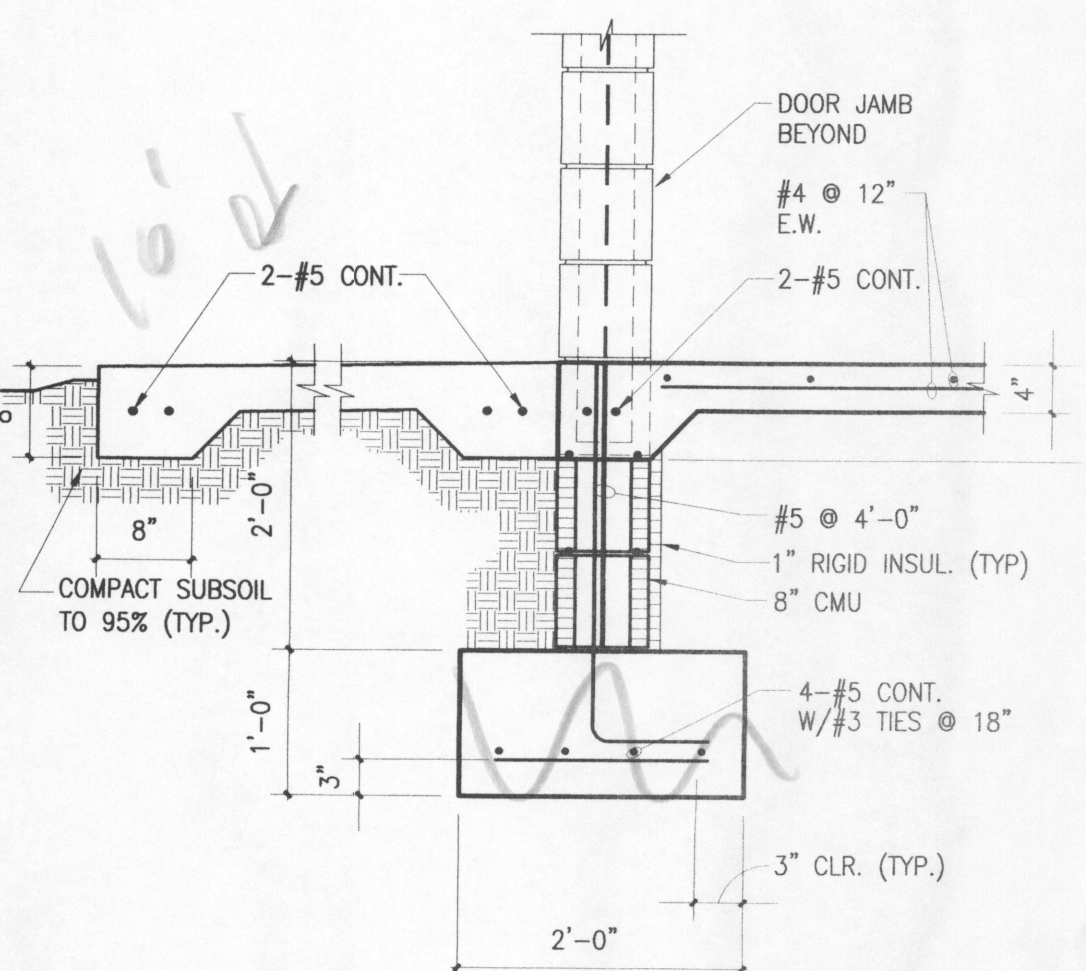


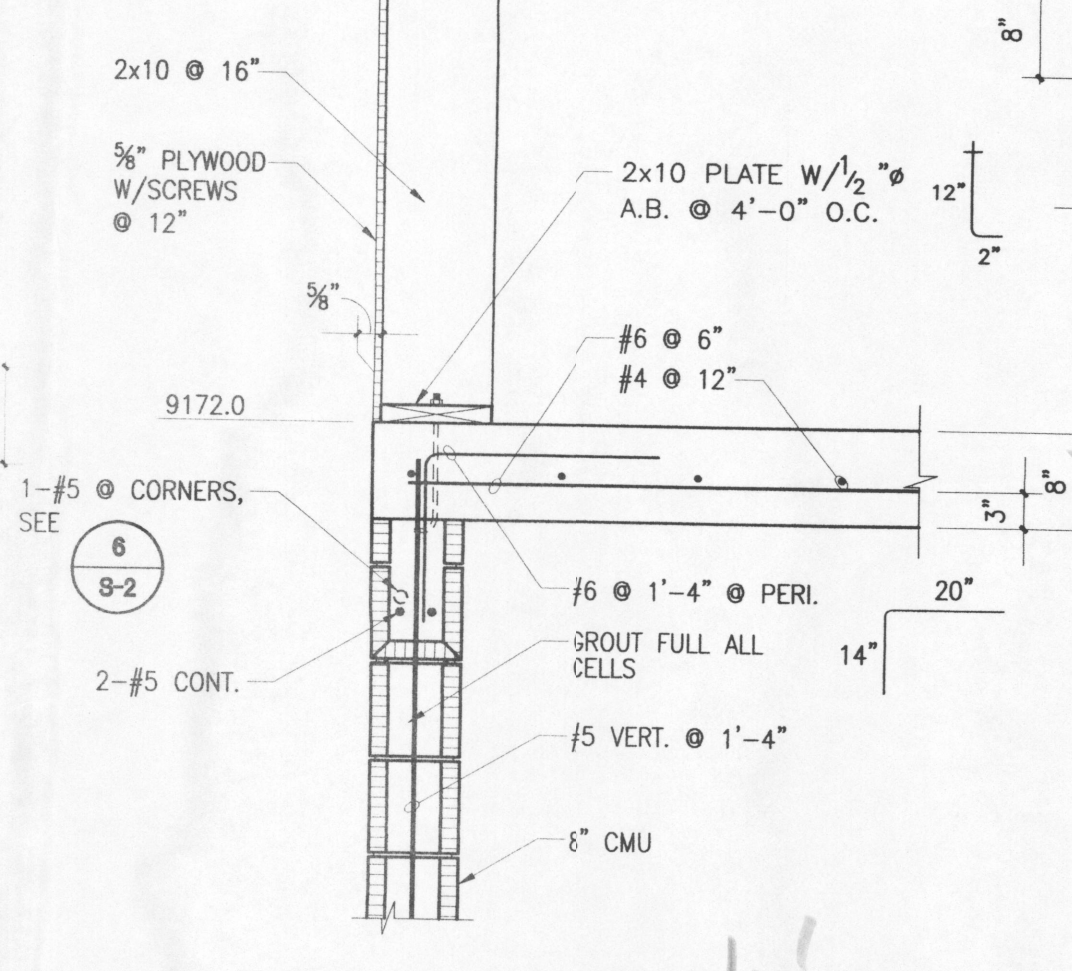
1 SECTION
S-2



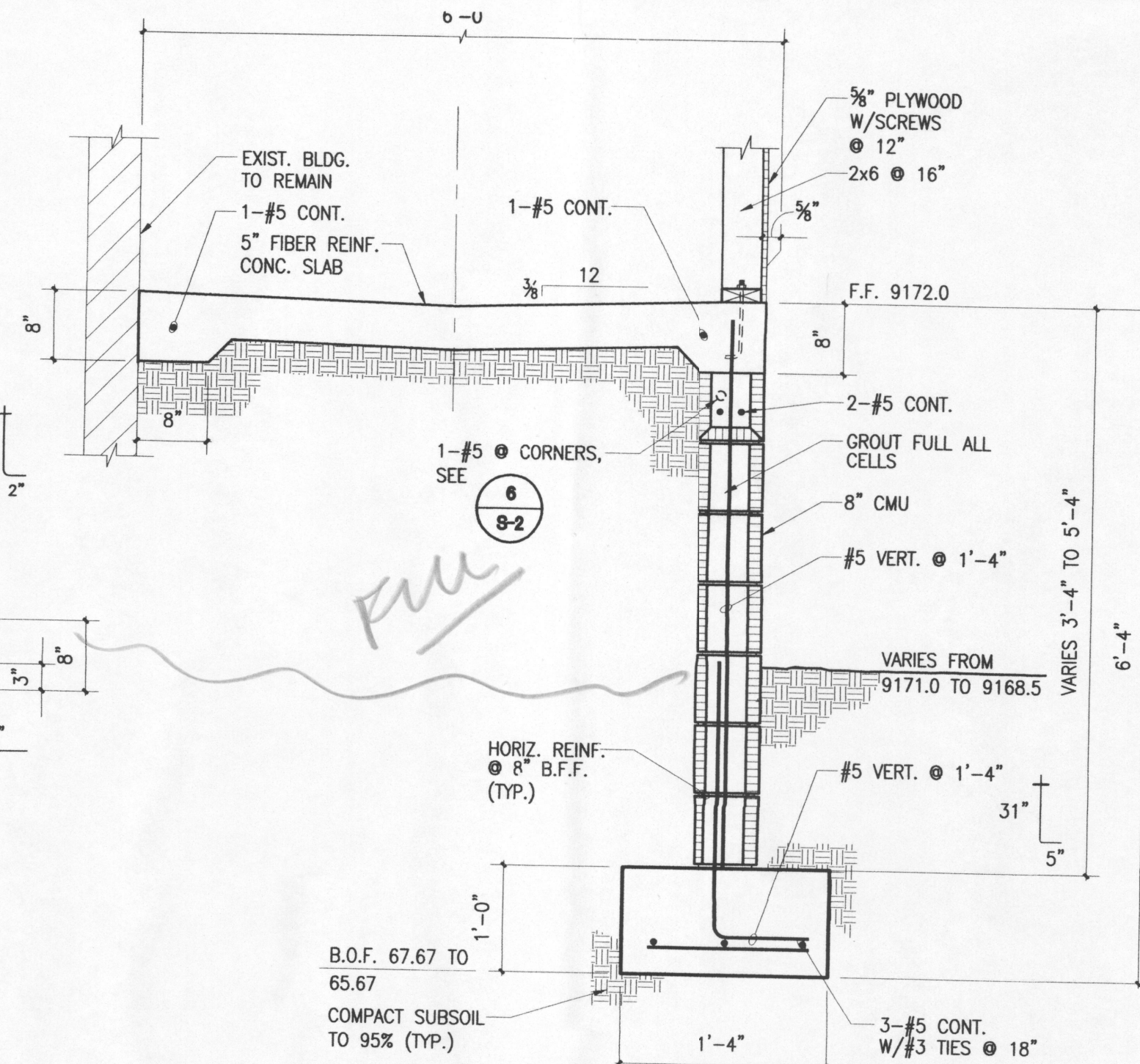
2 SECTION
S-2



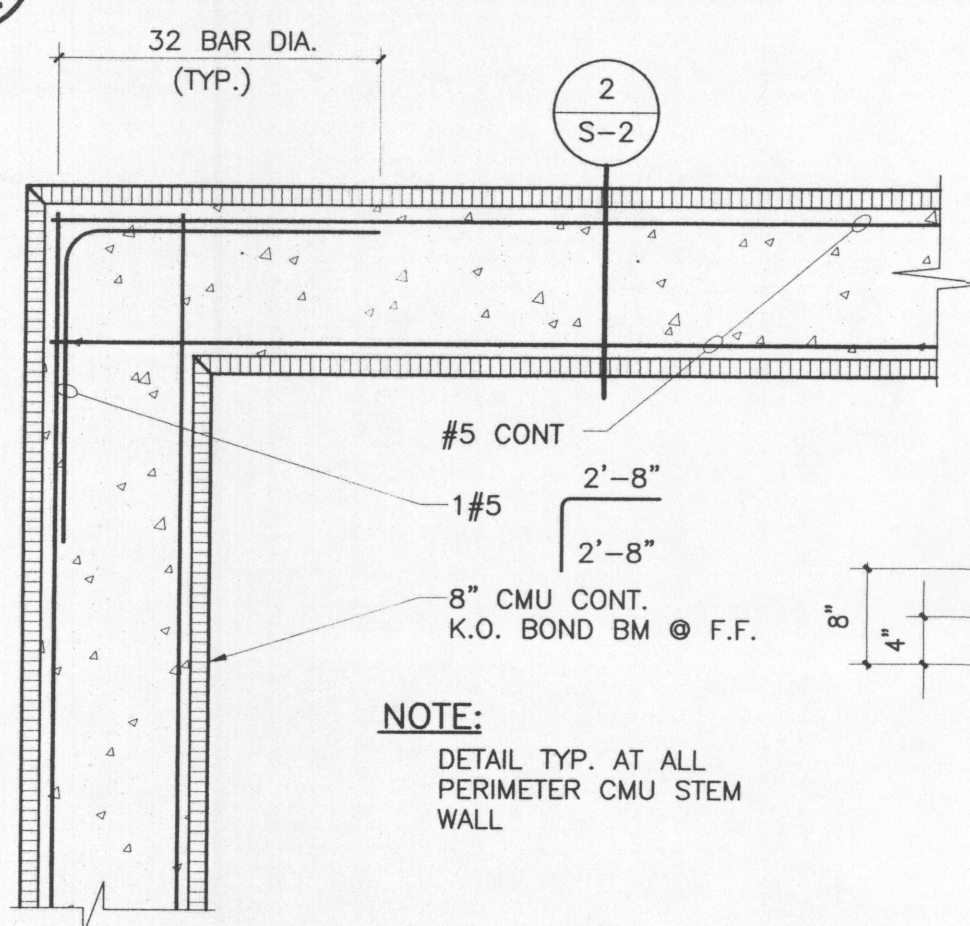
3 SECTION
S-2



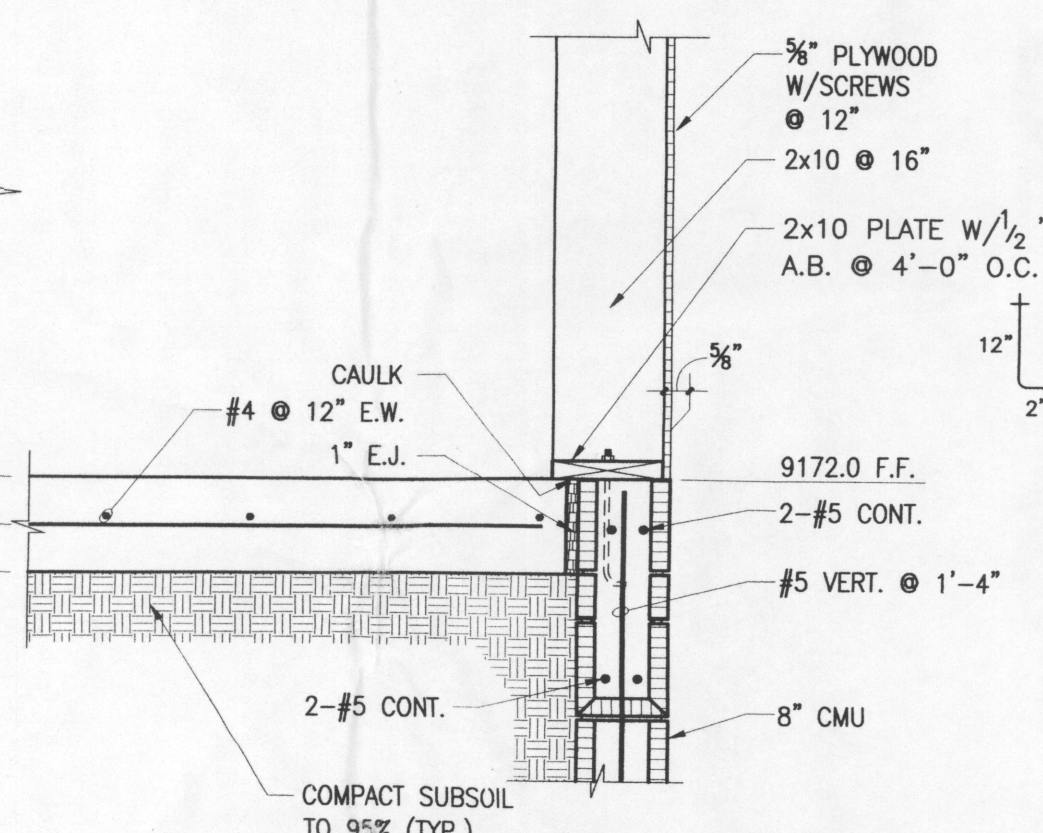
4 SECTION
S-2



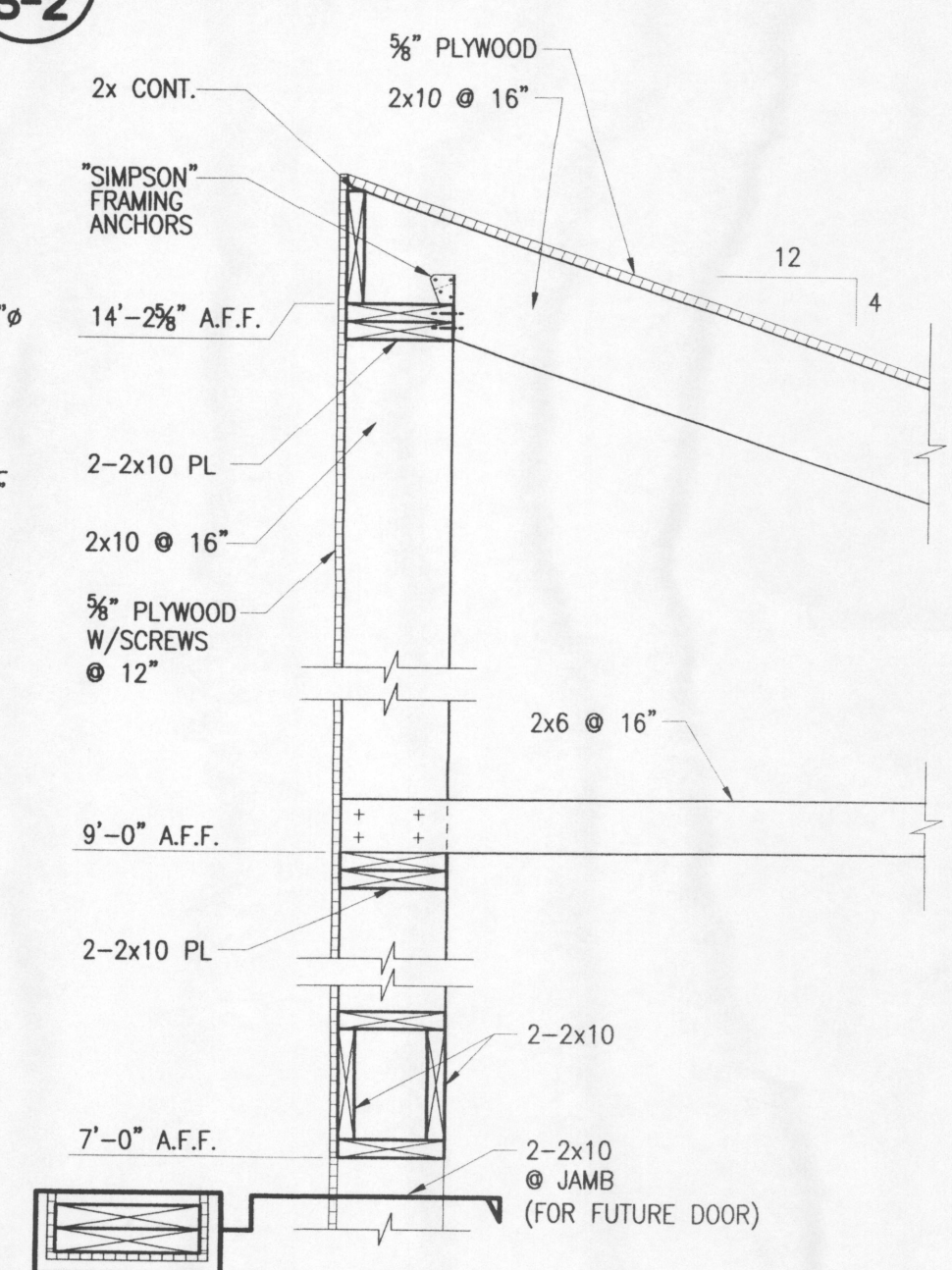
5 SECTION
S-2



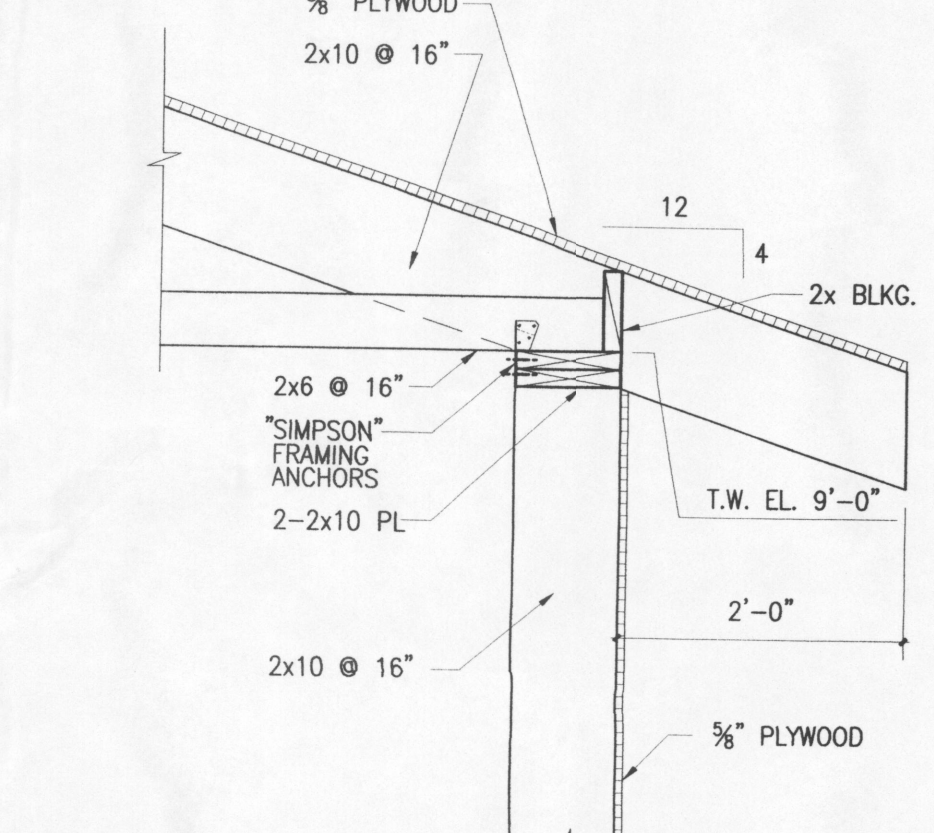
6 SECTION
S-2



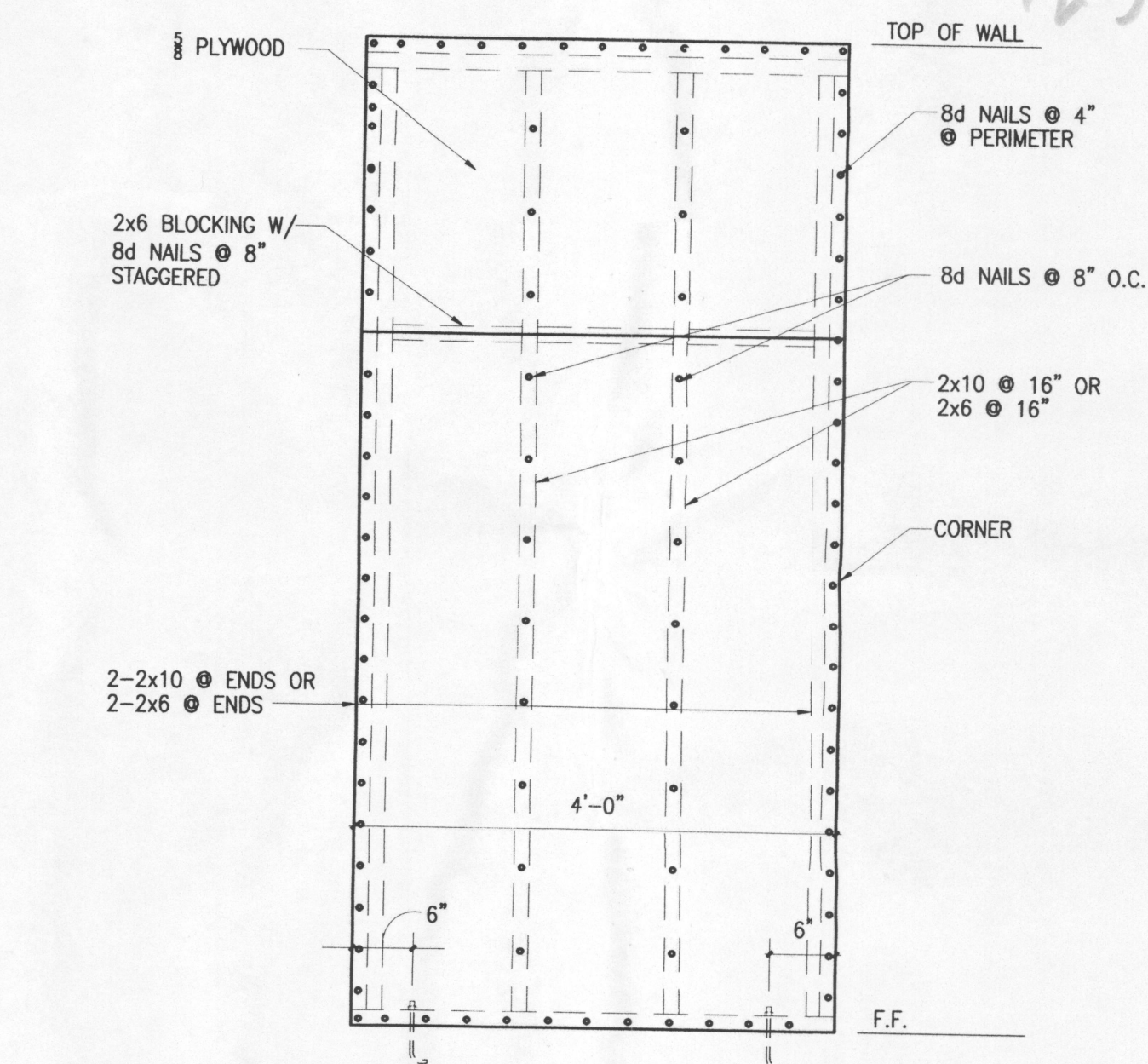
7 SECTION
S-2



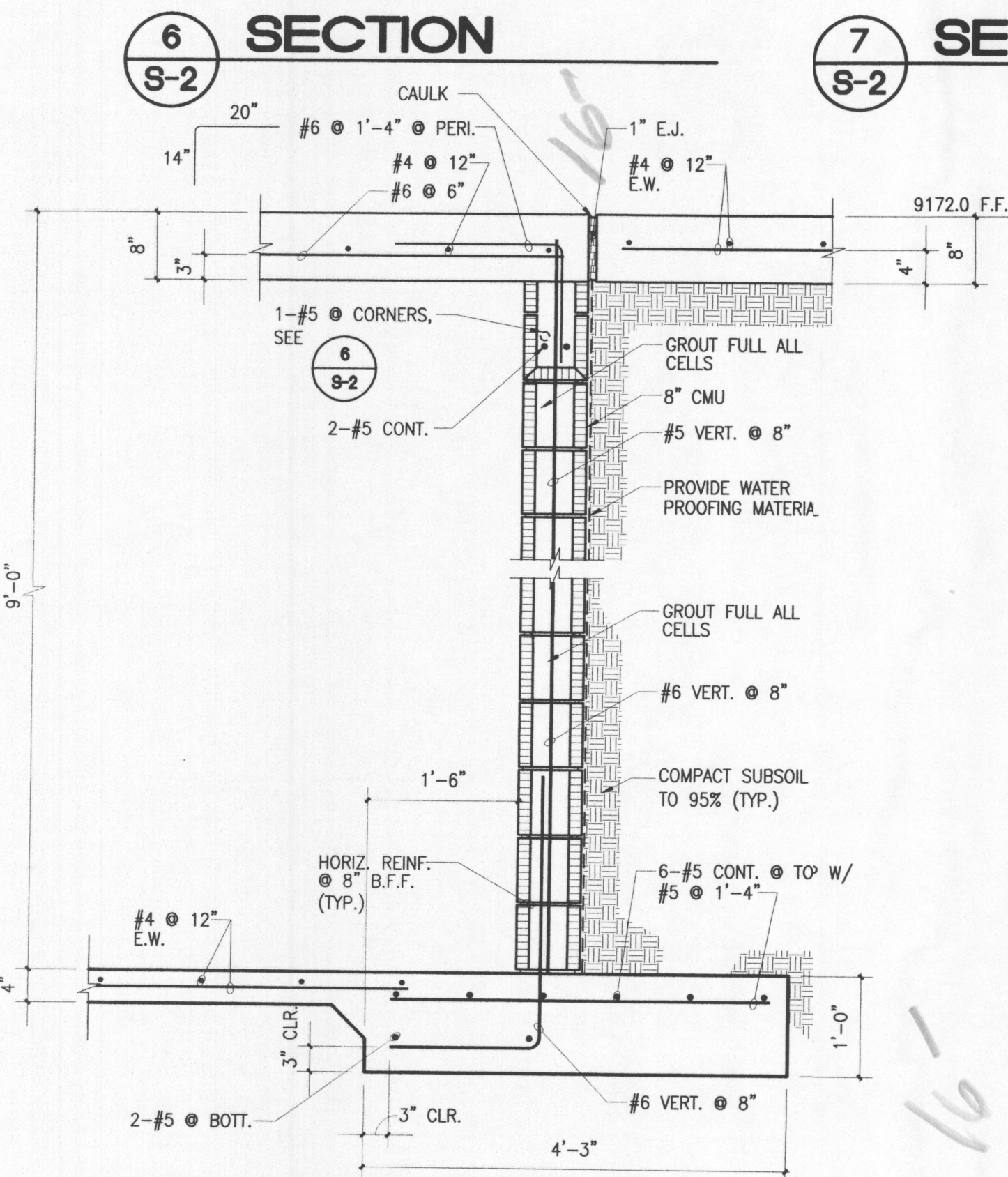
8 SECTION
S-2



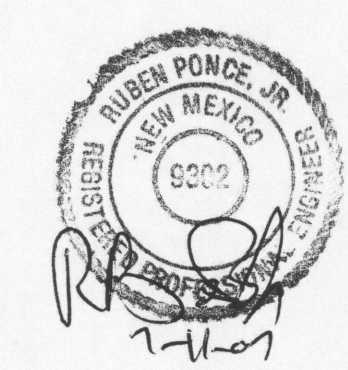
9 SECTION
S-2



10 SECTION
S-2



11 SECTION
S-2



Pe PONCE ENGINEERING, INC.
CONSULTING STRUCTURAL ENGINEERING
2417 WYOMING AVE.
EL PASO, TEXAS 79903
(915) 544-2810
(915) 544-1840 (FAX)
E-mail: ponceeng@aol.com
BRANCH OFFICE:
P.O. BOX 2481
LAS CRUCES, NM 88004
(505) 523-8812
DRAFTSMAN: ANGEL JIMENEZ

APACHE POINT
OBSERVATORY
SOSS BLDG EXPANSION

PREPARED FOR
ASTROPHYSICAL
RESEARCH CONSORTIUM
SUNSPOT
NEW MEXICO

DATE	PHASE
7/13/07	
7/26/07	PERMIT

denton ventures, inc.
architecture • engineering • planning
2480 roadrunner parkway
las cruces, nm 88011
office 505.523.0241
fax 505.525.9405
email dvi@zinet.com

SHEET
S-2
D36FLOR